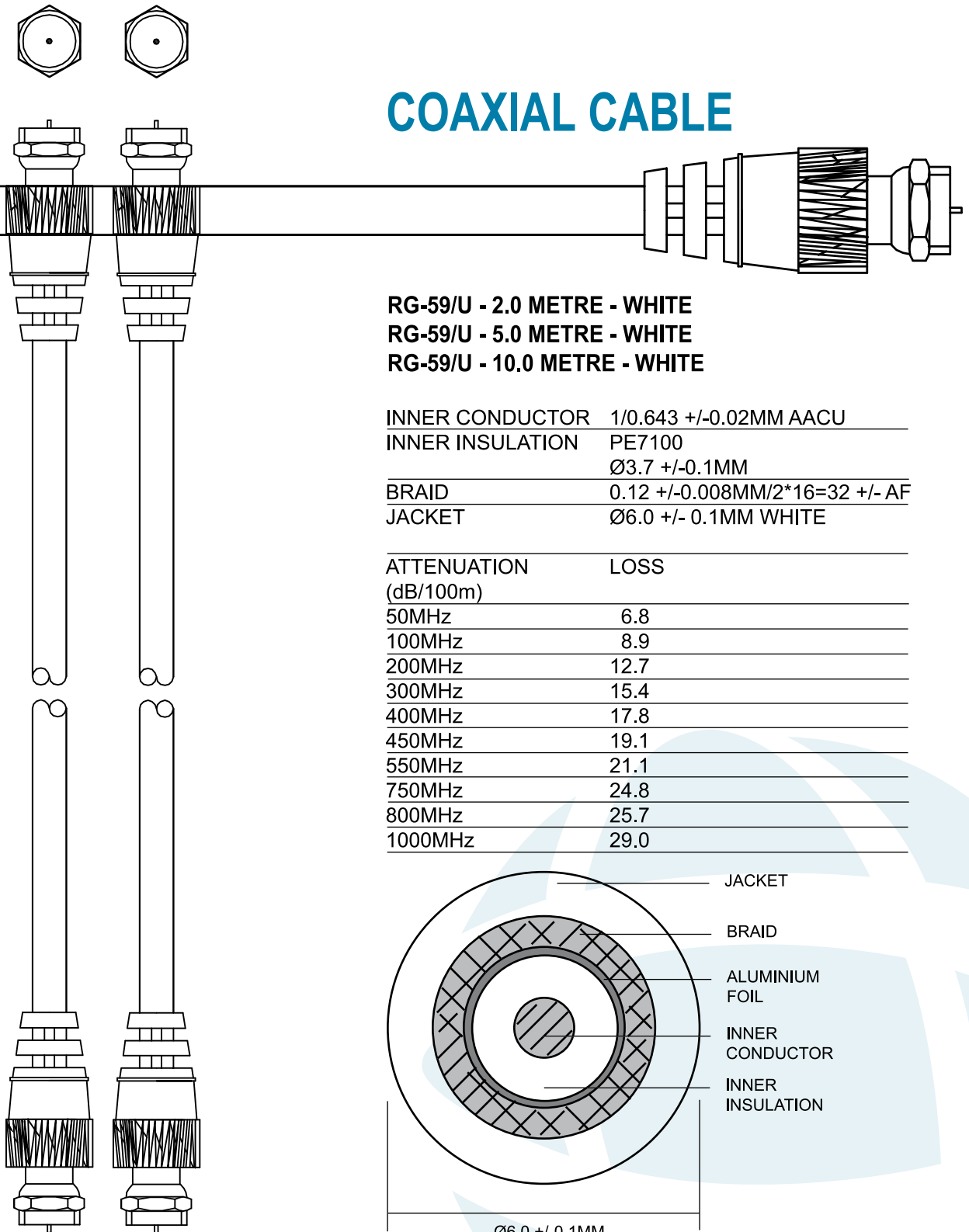


DATA SHEET

COAXIAL CABLE



- RG-59/U - 2.0 METRE - WHITE**
- RG-59/U - 5.0 METRE - WHITE**
- RG-59/U - 10.0 METRE - WHITE**

INNER CONDUCTOR	1/0.643 +/-0.02MM AACU
INNER INSULATION	PE7100
	Ø3.7 +/-0.1MM
BRAID	0.12 +/-0.008MM/2*16=32 +/- AF
JACKET	Ø6.0 +/- 0.1MM WHITE

ATTENUATION (dB/100m)	LOSS
50MHz	6.8
100MHz	8.9
200MHz	12.7
300MHz	15.4
400MHz	17.8
450MHz	19.1
550MHz	21.1
750MHz	24.8
800MHz	25.7
1000MHz	29.0

